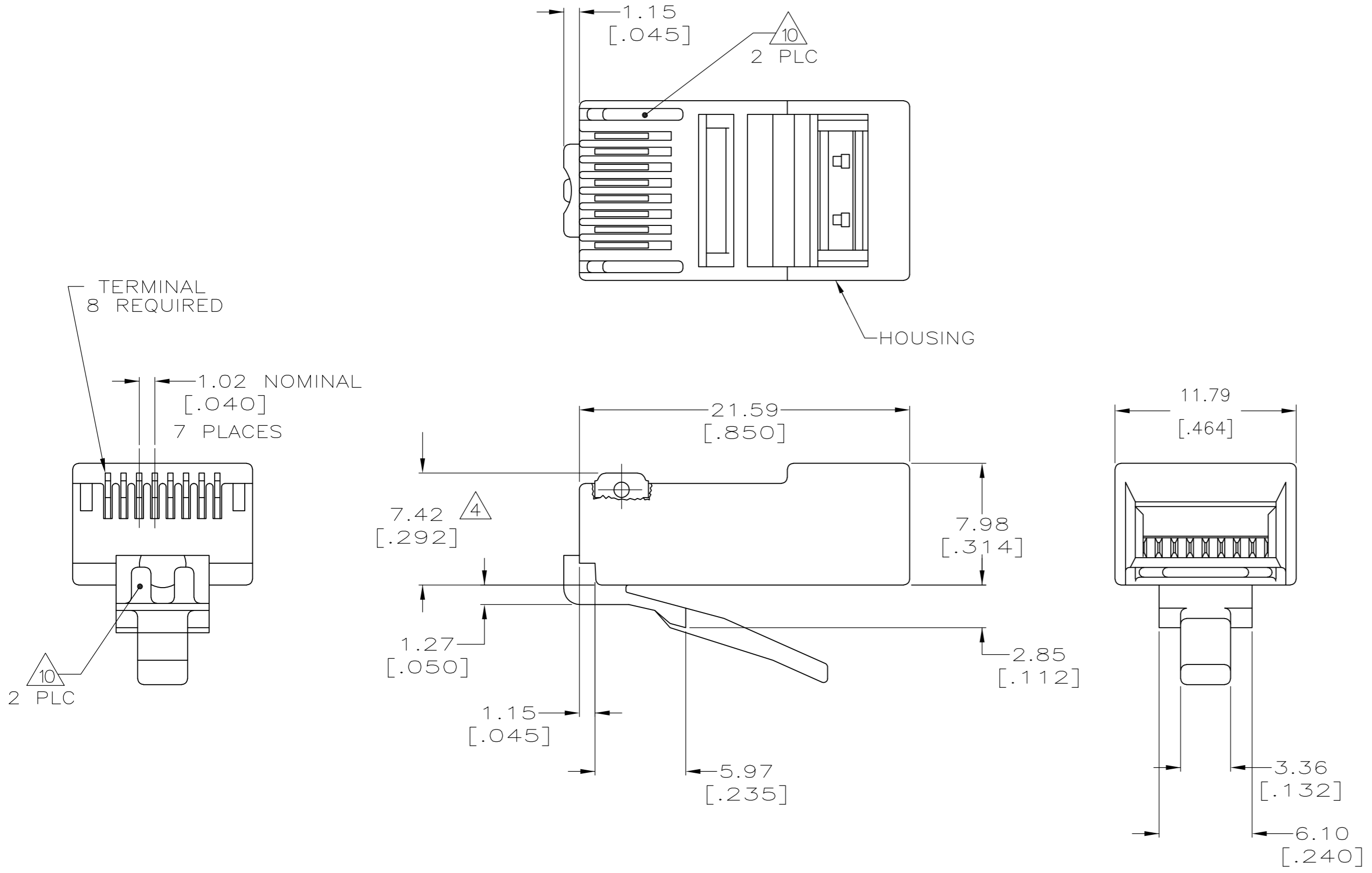


THIS DRAWING IS UNPUBLISHED. RELEASED FOR PUBLICATION
 © COPYRIGHT BY TYCO ELECTRONICS CORPORATION. ALL RIGHTS RESERVED.

LOC	DIST	REVISIONS					
		P	LTR	DESCRIPTION	DATE	DWN	APVD
HM	00		L	ECO-07-000283	04JAN07	LHS	LHS
			M	QBS -1, REV-ECO-07-021025	11DEC07	LH	BM
			N	REV ECO-08-004066	21FEB08	LH	BM

- ① DIMENSIONS ARE MAXIMUM UNLESS OTHERWISE SPECIFIED.
- ② MATERIAL: HOUSING-POLYCARBONATE,CLEAR. TERMINAL-0.36[.014] THICK PHOSPHOR BRONZE PLATED WITH 1.27μm[.000050] THICK GOLD IN LOCALIZED GOLD PLATE AREA. GOLD FLASH OVER THE REMAINDER, OVER 2.54μm[.000100] THICK NICKEL UNDERPLATE.
- ③ PLUG WILL ACCEPT 24 OR 26 AWG SOLID WIRE HAVING A MAXIMUM INSULATION DIAMETER OF 0.89-0.99[.035-.039] AND A MAXIMUM OVAL CABLE JACKET OF 2.54 X 8.89[.100 X .350].
- ④ TERMINATED DIMENSION 6.15[.242] MAXIMUM.
- ⑥ 10,000 ASSEMBLIES PER PACKAGE.
- ⑦ 500 ASSEMBLIES PER PACKAGE.
- ⑧ 100 ASSEMBLIES PER PACKAGE.
- ⑨ 25 ASSEMBLIES PER PACKAGE.
- ⑩ REELED PRODUCT ON STRIP DOES NOT HAVE VOID CORING ILLUSTRATED ON THIS DRAWING.



⑨ ③	5-554720-4
⑧ ③	5-554720-3
⑦ ③	5-554720-2
⑥ ③	5-554720-1
REELED ③ ⑩	554720-1
PACKAGED	PART NO.

OBSELETE

THIS DRAWING IS A CONTROLLED DOCUMENT.		DWN	03NOV2005	Tyco Electronics Corporation	
DIMENSIONS: mm [INCHES]		CHK	03NOV2005	Harrisburg, PA 17105-3608	
TOLERANCES UNLESS OTHERWISE SPECIFIED:		APVD	03NOV2005	NAME	
0 PLC	± - ①	C. CASH		MODULAR PLUG ASSEMBLY, 8 POSITION, SOLID WIRE	
1 PLC	± - ①	C. CASH		-	
2 PLC	± - ①	C. CASH		SIZE	CAGE CODE
3 PLC	± - ①	C. CASH		A2	00779
4 PLC	± - ①	C. CASH		DRAWING NO	RESTRICTED TO
ANGLES	± - ①	C. CASH		114-6016	-
FINISH	②	C. CASH		WEIGHT	SCALE
-	②	C. CASH		-	4:1
MATERIAL		CUSTOMER DRAWING		SHEET	1 OF 1
-		CUSTOMER DRAWING		REV	N